

SPX527

max 2700 kg

4150 x 1100 x 1960 mm

max 18.5 m
with stinger

max 11.2 m
with JIB800G

Whether it is a small job or a big construction site, the SPX527 is the mini crane par excellence: Reliable and safe, it adapts to any kind of job.



Technical Information

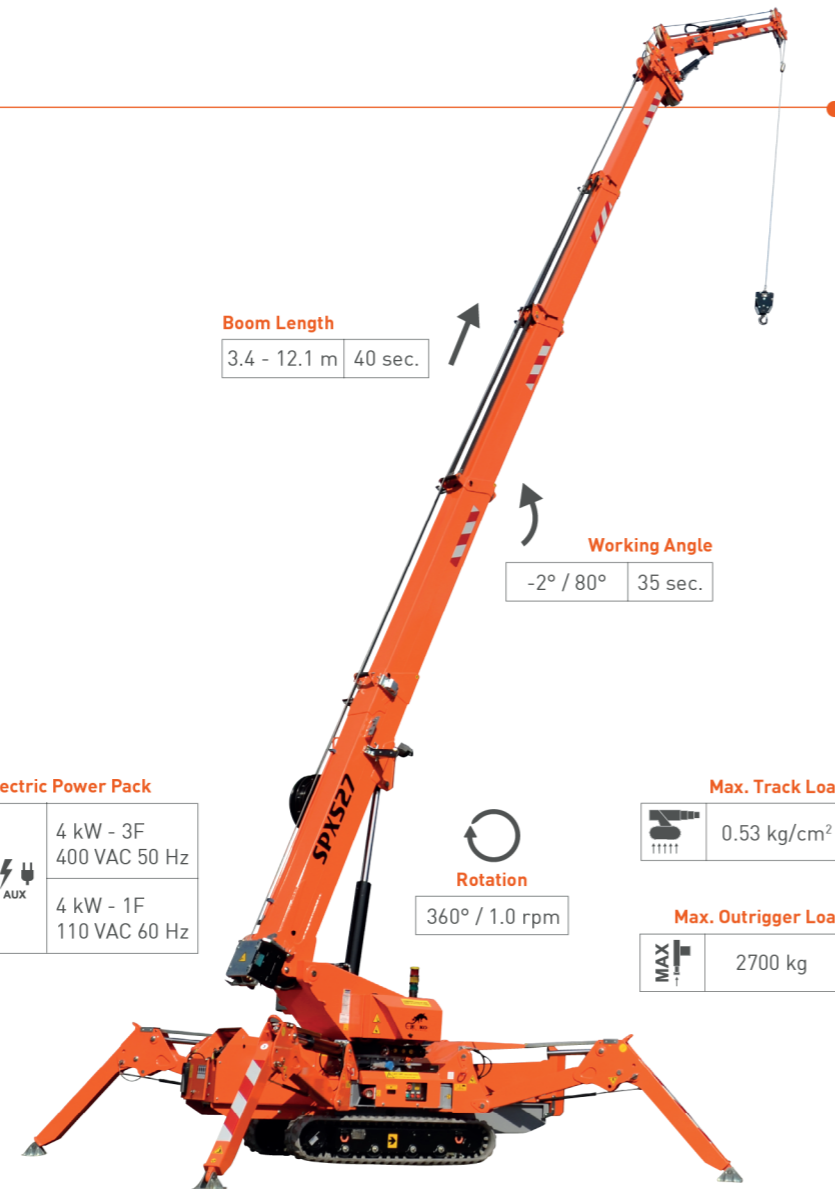
Dimension	L x W x H	4150 x 1100 x 1960 mm
Stab. Area		4160 x 4160 mm

		Kg
Crane & Options Weights	SPX527CDH	3600
	/	
	3T-D8	40
	PP400-4D PP220-4D	40
	JIB800G	30
	JIB600.2H	210
	MR800.4	300
	JIB301GR	200
	JIB302GR	210

SPX527CDH	Diesel Engine	KUBOTA D11 05-E3B	18.5 kW 25 Hp
-----------	---------------	-------------------	------------------

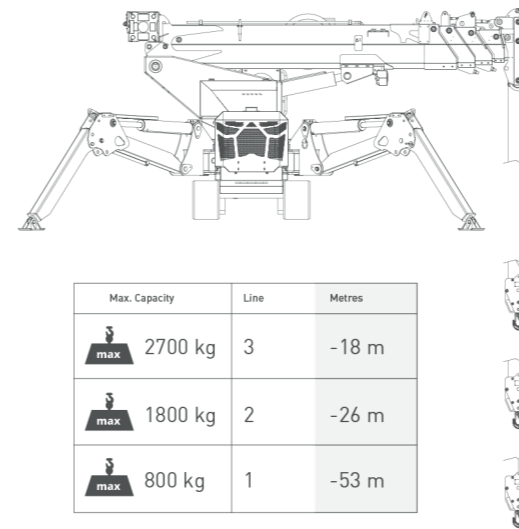
Speed		2 km/h
-------	--	--------

Gradeability		25°
--------------	--	-----

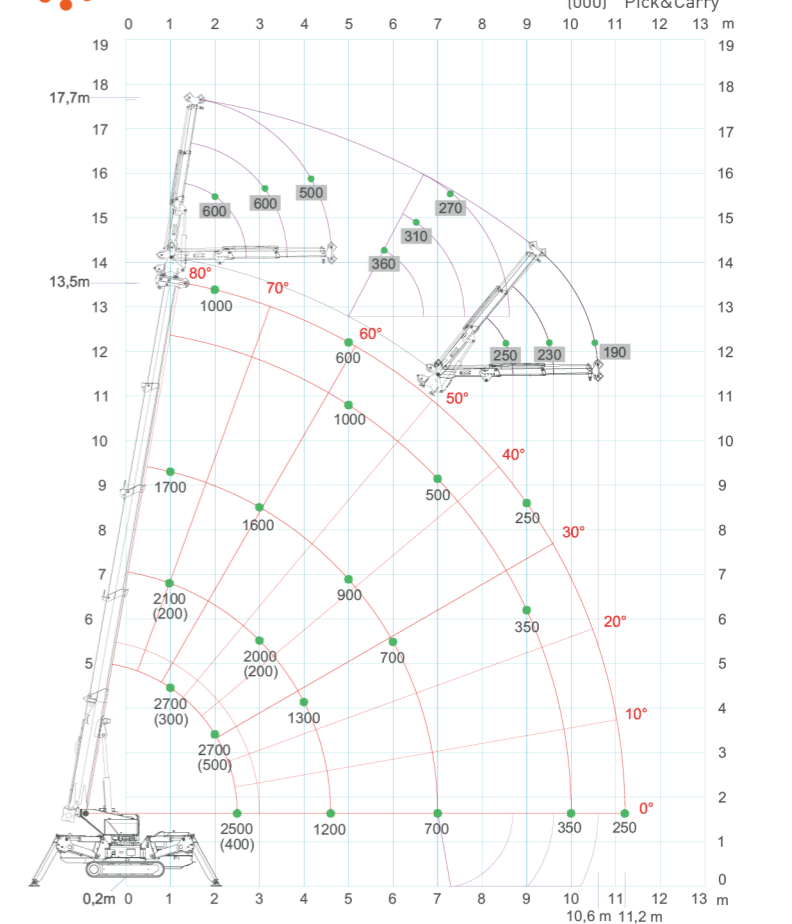


Winch & Fall Stages

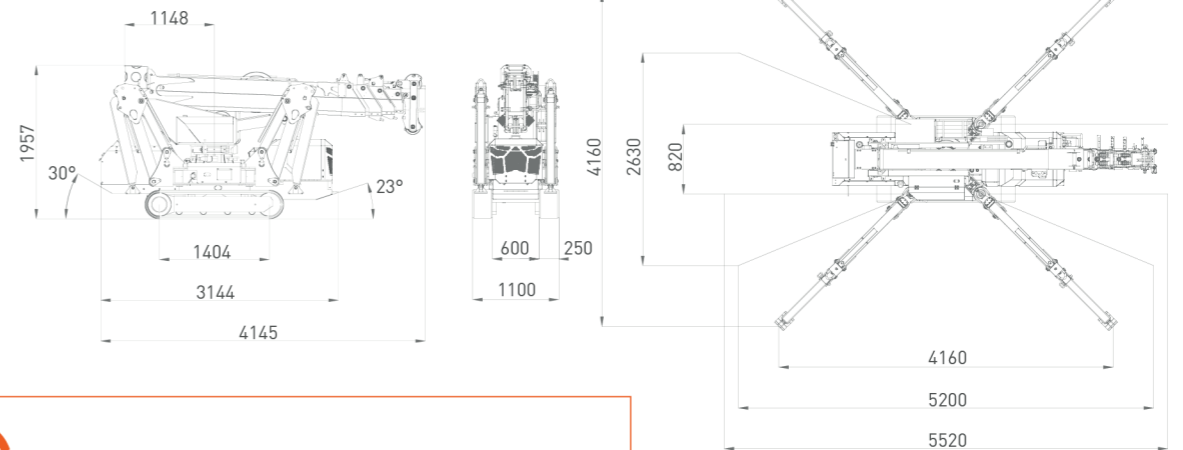
Main Winch	900 kg 60 m - Ø 8 mm 40,6 m/min.
------------	--



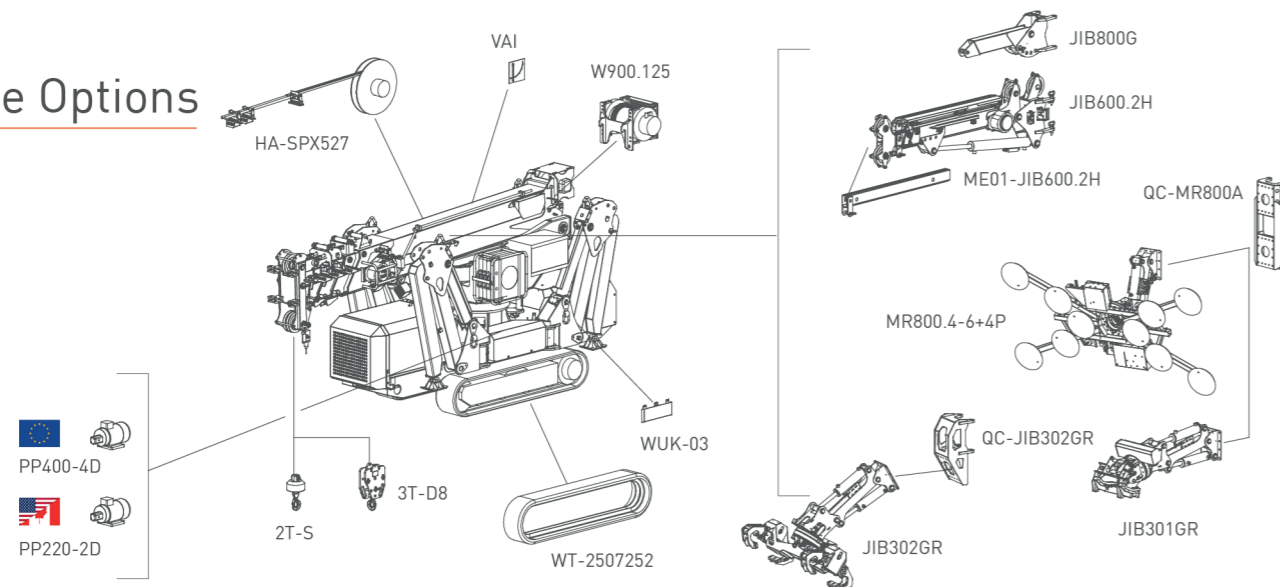
Load Chart



Dimensions



Crane Options



- A2B
- BPI
- CCI
- DTC
- EXT
- GSC
- LMI
- P&C
- PPA
- SCI
- TH
- VW
- RCD
- 2SW
- 2ST

Tools Configurations

	JIB800G	JIB600.2H*	MR800.4-6+4P	JIB301GR	JIB302GR
max	800 kg	600 kg	800 kg	300 kg	300 kg
max	800 kg @ 13.7m	500 kg @ 18.5 m	400 kg @ 14.2 m	300 kg @ 15.2 m	300 kg @ 15.2 m
max	250 kg @ 11.2 m	190 kg @ 10.5 m	150 kg @ 9 m	300 kg @ 8 m	300 kg @ 8 m

* Manual extension [stinger] available